

CAN ANALOG INPUTS

The Trio CAN Analogue module offers a compact DIN rail mounted analogue input facility for the Motion Coordinator Series 2 controllers including the MC204, 216 and Euro 205.

Up to 4 modules may be connected to the CAN link which may be up to 100m long. This provides up to 32 channels of +/-10v inputs and considerably reduces machine wiring.



- Status LEDs
- DeviceNet plug format
- Easy DIN rail mounting
- Compact 90w x 45d x 125h
- Quick screw terminal disconnects
- CAN link for up to 4 modules over 100 metres @500kHz



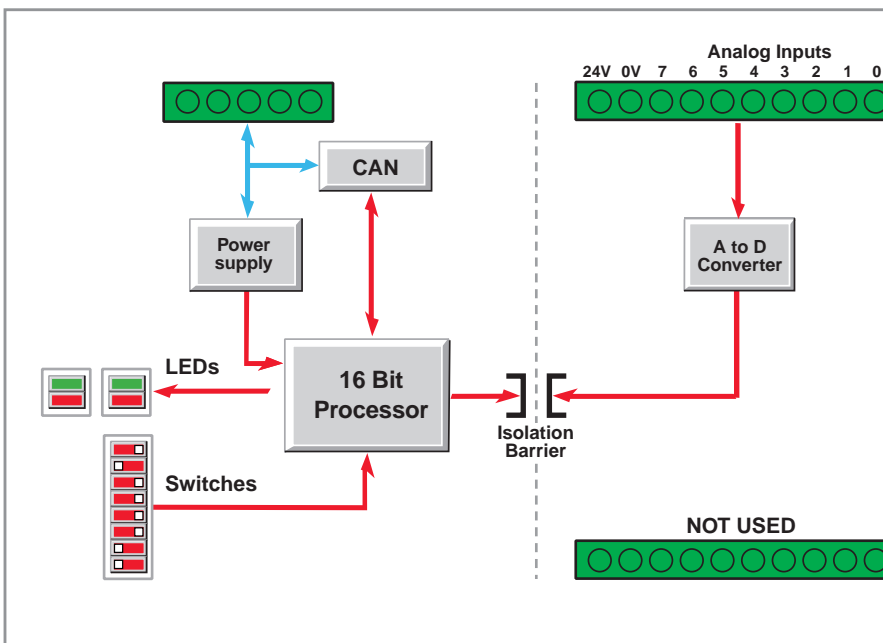
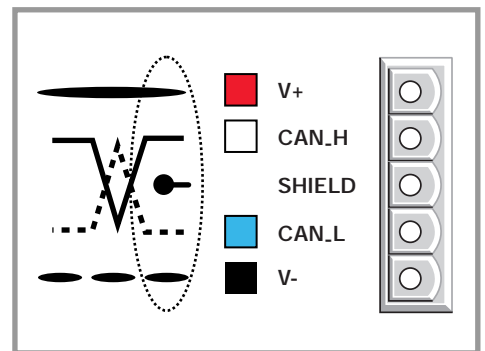
▶ **Trio Motion Technology** ◀

BREATHING LIFE INTO MACHINES



Specifications

- 8 Single Ended +/- 10v Analogue Inputs
- 12 bit resolution
- Status LED and power indication
- Inputs are opto isolated to 500V.
- Up to 4 modules may be addressed providing 32 channels
- 500 kbaud CAN interface.
- DIP switch CAN address selection.
- DeviceNet plug style.
- Power supply 24V.
- Power consumption 1.5 W.
- Connections all made via screw terminal disconnects.
- DIN rail mounting.
- Size: 90mm wide x 45mm deep x 125mm high (including connectors).
- Weight 200g.



EMC Compliant CE

- BS EN50082-2 (1995) Industrial Noise immunity.
- BS EN55022 (1995) Class A Ind. Noise emissions.

- Ordering Information:
Product Code P325

Unit 2, Empire Way, Gloucester, GL2 5HY Tel: +44 (0)1452 308332 Fax: +44 (0)1452 311884
Email: sales@triomotion.com Website: <http://www.triomotion.com>

All Trademarks are acknowledged