

# CAN16 I/O

The Trio CAN16 I/O module offers a compact DIN rail mounted I/O expansion capability for the Motion Coordinator Series 2 controllers including the MC204, 216 and Euro 205. Up to 16 modules may be connected to the CAN link which may be up to 100m long. This provides 256 Bi-directional channels of distributed I/O and considerably reduces machine wiring.

- Individual Status LEDs
- DeviceNet plug format
- Easy DIN rail mounting
- Compact 90w x 45d x 125h
- Quick screw terminal disconnects
- Outputs are individually over current/temp protected
- CAN link for up to 16 modules over 100 metres @500kHz



▶ *Trio Motion Technology* ◀

BREATHING LIFE INTO MACHINES

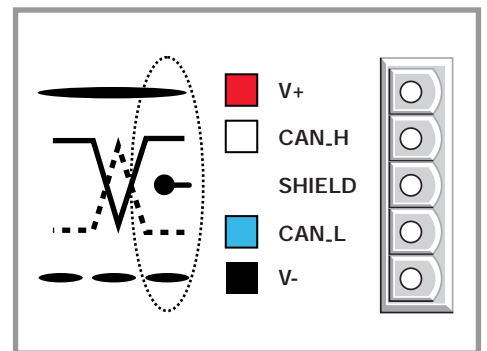
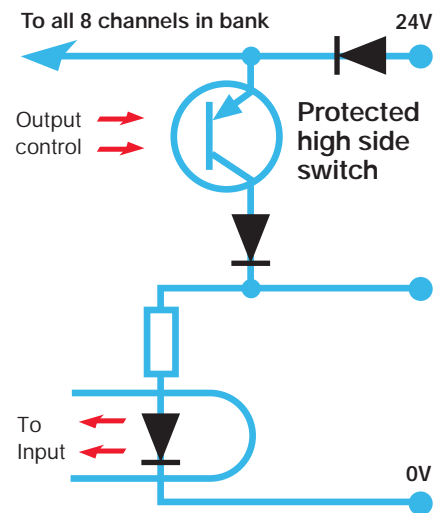


## Specifications

16 Bi-directional 24V I/O arranged in two banks of 8, each with their own isolated 24V supply input.

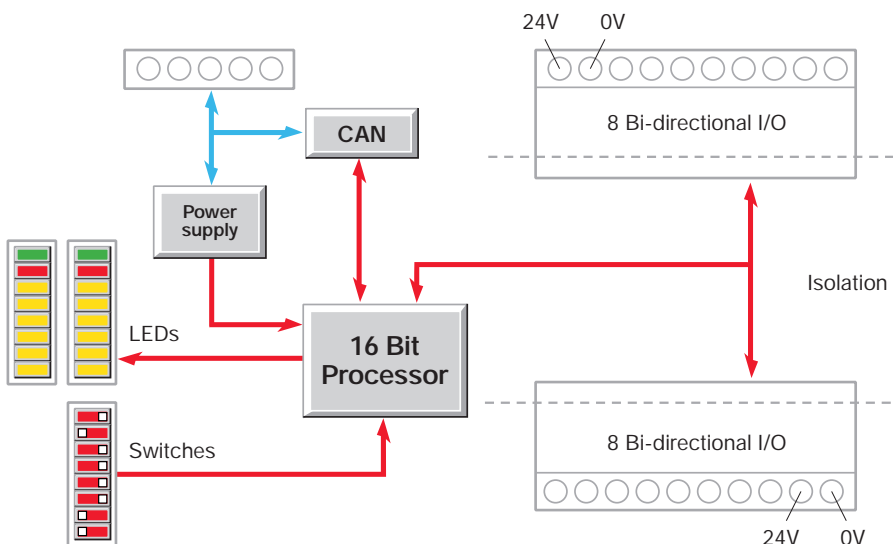
- Status LEDs and power/fault indication for all I/O.
- All outputs individually over current and over temperature protected.
- Outputs are currently sourcing (PNP) and will drive 250mA each to a maximum of one amp per bank of 8 I/O.
- All I/O is opto isolated to 2500V.
- Up to 16 modules may be addressed providing 256 expansion I/O channels.
- 500 kbaud CAN interface.
- DIP switch CAN address selection.
- DeviceNet plug style.
- Power supply 24V.
- Power consumption 1.5 W.
- Plug compatible with MC16 I/O module.
- Connections all made via screw terminal disconnects.
- DIN rail mounting.
- Size: 90mm wide x 45mm deep x 125mm high (including connectors).
- Weight 200g.

### Simplified I/O single channel



### EMC Compliant $\text{CE}$

- BS EN50082-2 (1995) Industrial Noise immunity.
- BS EN55022 (1995) Class A Ind. Noise emissions.
- Ordering Information: Product Code P315



Unit 2, Empire Way, Gloucester, GL2 5HY Tel: +44 (0)1452 308332 Fax: +44 (0)1452 311884  
 Email: sales@triomotion.com Website: <http://www.triomotion.com>

All Trademarks are acknowledged