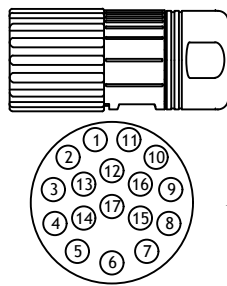
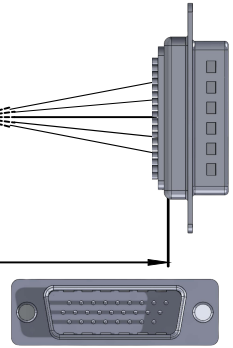


CABLE NOTES:
 -INTERNAL WIRES ARE 22 AWG
 -CABLE OD IS 12 MM
 -MAX BENDING RADIUS IS 48 MM.
 -MAX CABLE LENGTH IS 45M (150FT)
 -CONSULT INFRANOR FOR > 25M.

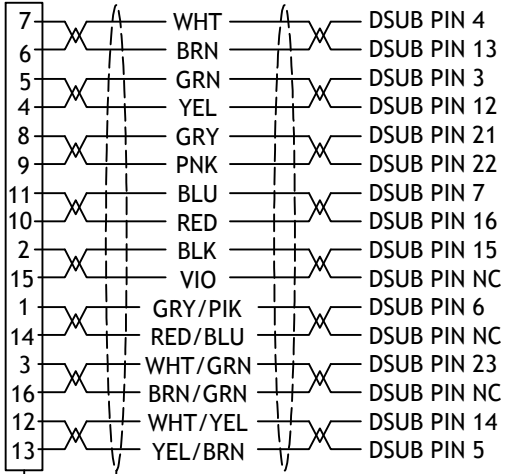


ICC022-xxxRF-P
 REV: B
 INFRANOR wwww

ICC022-xxxRF-P
 REV: B
 INFRANOR wwww



DIM



LABEL CHART	
WIRE	LABEL
WHT	DSUB PIN 4
GRY/PIK	HALL U
BLK	HALL V
WHT/GRN	HALL W
YEL	A
GRN	A'
BRN	B
WHT	B'
GRY	Z
PNK	Z'
RED	GND
BLU	+5V
WHT/YEL	THERM
YEL/BRN	THERM
RED/BLU	HALL U'
VIO	HALL V'
BRN/GRN	HALL W'

NOTES:
 1: THIS DRAWING IS ONLY MEANT FOR INSTALLATION PURPOSES ON AN INFRANOR MOTOR.
 2: THIS DRAWING IS NOT TO BE RE-DISTRIBUTED OR USED TO MAKE CABLES.

ALL CABLE ASSEMBLIES MEET IPC/WHMA-A-620 CLASS 2 WORKMANSHIP AND INSPECTION STANDARDS			
DRAWN	DATE	TITLE: READY CABLE LAYOUT	
	3/03/2020		
CHECKED	DATE		
APPROVED	DATE		
PART/ASSEMBLY #			
ICCO22-xxxRF-P (Encoder)		REV	
QUOTE#		A	
DRAWING #		SCALE NTS SIZE B SHEET 1 of 1	

<small>ALL CABLES ARE MEASURED FROM CONNECTOR END TO CONNECTOR END PER IPC/WHMA-A-620 UNLESS OTHERWISE SPECIFIED.</small>	UNLESS OTHERWISE SPECIFIED, ALL DIMENSIONS ARE IN INCHES.					
	CABLE OVERALL LENGTH	< 1'	> 1' - 5'	> 5' - 10'	> 10' - 25'	> 25'
	TOLERANCE	+1" - 0"	+2" - 0"	+4" - 0"	+6" - 0"	+5% - 0%

A	-	DRAWING RELEASED			
REV	ECN	DETAILS	DATE	APPROVAL	