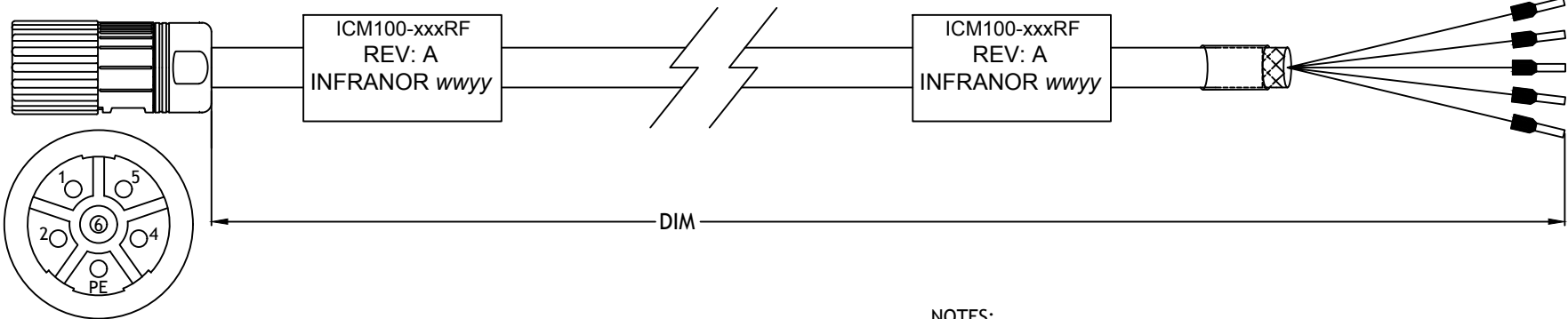


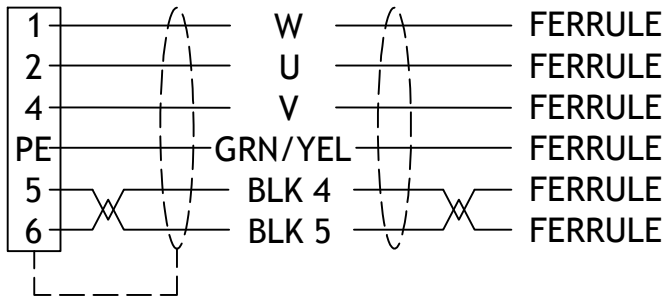
CABLE NOTES:

- CABLE OD IS 14 mm
- MIN BENDING RADIUS IS 112 mm
- MAX CABLE LENGTH IS 45M (150FT) CONSULT INFRANOR FOR > 25M.
- CABLES RATED FOR 1000V
- MAX MOTOR CONT. CURRENT 15 ARMS



NOTES:

- 1: THIS DRAWING IS ONLY MEANT FOR INSTALLATION PURPOSES ON AN INFRANOR MOTOR.
- 2: THIS DRAWING IS NOT TO BE RE-DISTRIBUTED OR USED TO MAKE CABLES.



LABEL CHART	
WIRE	LABEL
U	U
V	V
W	W
GRN/YEL	GND
BLK 4	BR+
BLK 5	BR-

ALL CABLE ASSEMBLIES MEET IPC/WHMA-A-620 CLASS 2 WORKMANSHIP AND INSPECTION STANDARDS			
DRAWN	DATE 3/03/2020	TITLE: READY CABLE LAYOUT	
CHECKED	DATE	Infranor	
APPROVED	DATE		
PART/ASSEMBLY # ICM100-XXXRF (POWER)		A	
QUOTE#			
DRAWING #		REV	
SCALE	NTS	SIZE	B
SHEET		1 of 1	

ALL CABLES ARE REQUIRED FROM CONNECTOR END TO CONNECTOR END PER IPC/WHMA-A-620 UNLESS OTHERWISE SPECIFIED.	UNLESS OTHERWISE SPECIFIED, ALL DIMENSIONS ARE IN INCHES.					
	CABLE OVERALL LENGTH	≤ 1'	> 1' - 5'	> 5' - 10'	> 10' - 25'	> 25'
	TOLERANCE IPC/WHMA-A-620	+1" -0"	+2" -0"	+4" -0"	+6" -0"	+5% -0%



PROPRIETARY & CONFIDENTIAL
THE INFORMATION CONTAINED IN THIS DRAWING IS THE SOLE PROPERTY OF INFRANOR INC. ANY REPRODUCTION IN PART OR AS A WHOLE WITHOUT WRITTEN PERMISSION FROM INFRANOR INC. IS PROHIBITED.

A	-	DRAWING RELEASED			
REV	ECN	DETAILS	DATE	APPROVAL	
8					