



MOVINOR Low Voltage AC Servomotors



Features

- Ultra compact size
- High torque
- In perfect association with the INFRANOR 60VDC servo drives

Power

- Stall torque 0.10 to 5.3 Nm / Nominal torque 0.1 to 4.6 Nm
- Sizes 37, 55, 86 & 98 mm

Executions

- Wide range of standard models
- Customized versions
- CE and UL certifications
- ATEX versions



Movinor low voltage servomotors, T range

The brushless synchronous servomotors with conventional 6-pole stator are completely new design and build. The modern concept of the magnetic circuit, winding and isolation creates torque reserves and increases the lifetime considerably. This concept offers a wide range of options, such as additional inertia. It is also possible to request special customizations for this motor range.

Movinor low voltage servomotors, N range

This motor range with stators manufactured in pole winding technology is extremely compact. An optimized mechanical construction and stronger magnets result in an increase of power-density of 40% compared to the T motor range, depending on frame size and motor length. The choice of options is wide, however less than for the T motor range.

Technical data

Type	Winding B (48VDC)				Length K	
	Stall torque	Nominal speed	Stall current	Maximal speed	without brake	with brake
	M_o	n_{nom}	I_o	n_{max}		
	[Nm]	[rpm]	[Arms]	[rpm]	[mm]	[mm]
T037-1-B	0.10	4 000	1.95	9 430	81	111
T037-2-B	0.20	4 000	3.00	7 410	96	126
T037-3-B	0.30	4 000	3.80	6 200	111	141
T055-1-B	0.20	3 000	3.10	7 530	98	131
T055-2-B	0.40	3 000	4.30	5 310	113	146
T055-3-B	0.60	3 000	6.30	5 170	128	161
T055-4-B	0.80	3 000	6.90	4 280	143	176
T086-1-B	0.65	3 000	7.10	5 370	109	142
T086-2-B	1.30	3 000	10.50	3 980	127	160
T086-3-B	2.50	3 000	16.20	3 410	163	196
T086-4-B	3.00	3 000	25.70	4 240	181	214
T098-1-B	2.60	3 000	19.30	3 660	146	178
T098-2-B	5.30	3 000	37.30	3 480	176	208
N055-1-B	0.28	3 000	3.50	6 520	67	105
N055-2-B	0.54	3 000	6.00	5 930	82	120
N055-3-B	0.75	3 000	7.70	5 390	97	135
N055-4-B	0.95	3 000	7.30	4 180	112	150
N086-1-B	1.15	3 000	11.30	5 450	82	120

Standard version

- Resolver feedback
- Shaft without keyway
- Protection IP-65 (T037: IP-64)
- Angled connectors (flying leads for T037 & T098-2-B)
- PTC sensor
- Winding 48VDC

Options

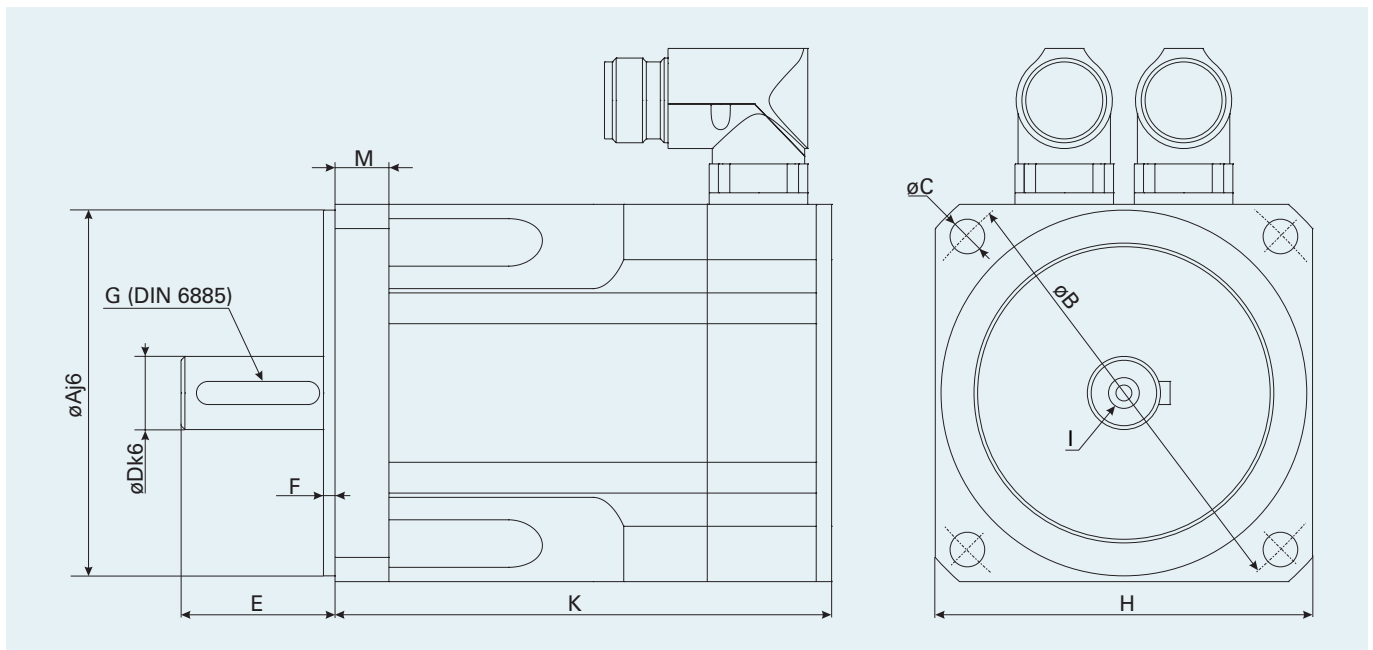
- Various encoders
- Shaft with keyway
- Protection IP-67 (T037: IP-65)
IP-69 possible
- Shaft seal
- Straight or rotatable connectors
- Rotatable double-receptacle Ytec connectors also for T037
- Direct cable output
- NTC, PT1000 sensor
- Additional inertia (T range)
- ATEX - UL

Customized versions

- Shafts
- Flanges, housings
- Windings
- Connections
- Execution according to customer's specifications

The superior power density, the excellent accelerating, the compactness and the lightness ability make these motors perfectly suited for high-dynamic embedded applications in combination with the INFRANOR XtrapulsEasy 60VDC servo drive range.

Mechanical dimensions



Dimensions [mm]	Ø Aj6	Ø B	Ø C	Ø Dk6	E	F	G	H	I	M
T037	25	32	M3x7.0	6 (h6)	16	2.0	2x2x10	37	-	-
T055	40	63	4x5.8	9	24	2.5	3x3x18	55	M3x7(opt)	7
T086	80	100	4x7.0	14	30	3.0	5x5x22	86	M4x10	11
T098	95	115	4x9.0	19	40	3.0	6x6x32	98	M5x14	14
N055	40	63	4x5.8	9	24	2.5	3x3x18	55	M3x7(opt)	7
N086	80	100	4x7.0	14	30	3.0	5x5x22	86	M4x10	11

Brakes

Motor type	T037	T088	T098	N055	N086
Torque [Nm]	0.4	4.5	9.0	2.0	4.5
Supply [VDC]	24 (+6% - 10%)				

INFRANOR XtrapulsEasy 60VDC servo drive



The 60VDC servo drive XtrapulsEasy is a performance, extremely compact and easy-to-use device dedicated to applications operating with a 24VDC to 60VDC voltage. Thanks to its cost-effectiveness and its optimized functions, it focuses on applications where price is a determining factor. It is particularly suitable for embedded applications.

Rated current: 13, 25 & 35A / Peak current: 45, 60 & 120A

Infranor product range

Drives

Standard drives



Customized drives

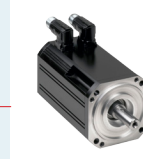


Drive applications



Motors

Standard motors



Customized motors



Motor applications

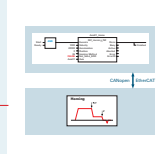


Services

Standard services



User-specific services



Global solutions

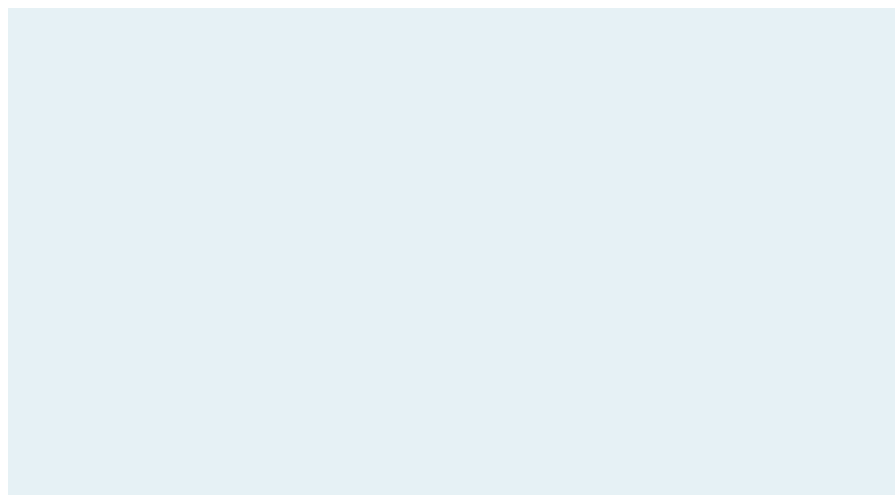


Infranor Group

Infranor creates added value for its customers by providing tailor-made motion solutions.

Based on strong working relationships, Infranor offers extensive market know-how, comprehensive engineering skills and a wide range of high-quality products leading to productivity gains and therefore to comparative advantages for its customers in their respective markets.

Contact



Infranor worldwide

Switzerland
Germany
France
Italy
Benelux
UK
Spain
USA
China

Other representations:
Denmark, Poland, Slovenia,
Israel, India.



www.infranor.com